

# DELPRO <sup>1238™</sup> <sup>1638™</sup>

INTERLOCKING PVC PANEL

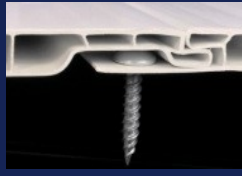
• AGRICULTURAL • INDUSTRIAL • COMMERCIAL • RESIDENTIAL •



PRODUCT OF



NORTH AMERICA



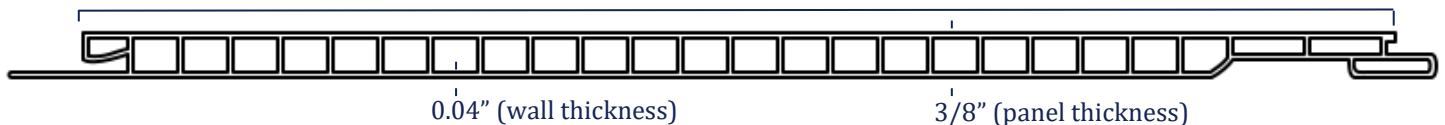
• ABOUT DELPRO 1238™ AND DELPRO 1638™ •

- ✓ Distinctive Tongue and Groove System
- ✓ Quick and Easy Installation
- ✓ Low Maintenance
- ✓ Easy to Clean
- ✓ Economical
- ✓ No Painting Required
- ✓ Bright White, Extremely Smooth Panels
- ✓ Made with 100% Exterior Grade Virgin PVC Formula  
*tried and tested for two decades*
- ✓ CFIA Approved
- ✓ Hidden Fastener
- ✓ Class A Fire Rating
- ✓ 12" and 16" Wide Panels
- ✓ 15 Years Warranty

## • SPECIFICATIONS •

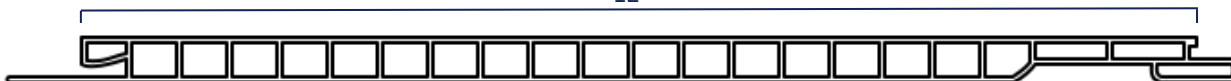
DelPro 1638™ Smooth Panel

16"



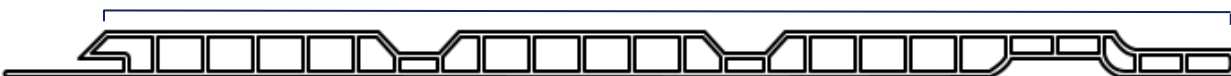
DelPro 1238™ Smooth Panel

12"



DelPro 1238™ V-Groove Panel

12"



with a **wall thickness of 0.04"** and an **overall panel thickness of 3/8"** it's the most durable PVC panel on the market.

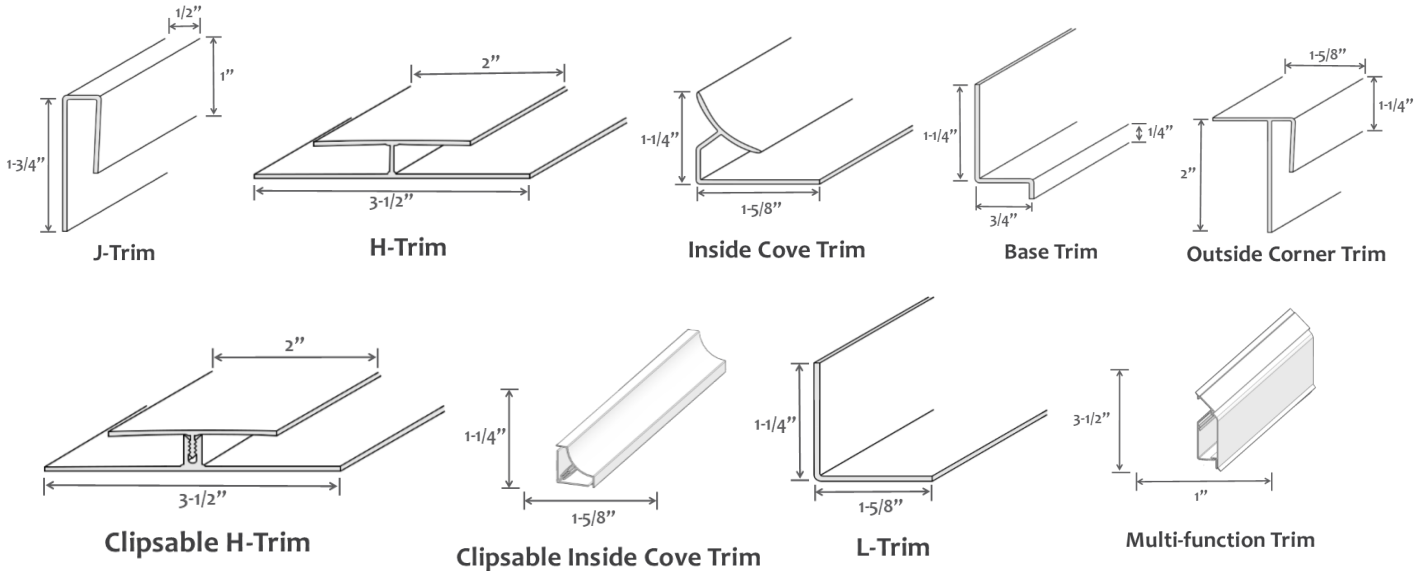
• ENJOY THE **STRENGTH** •

• DISCOVER THE *BEAUTY* •

Our panels provide an **efficient and a stylish finish** for walls and ceilings. DelPro 1238™ and DelPro 1638™ can be used in new and retrofit applications. The high quality interlocking PVC wall and ceiling panels are **easy to install** and virtually **maintenance free**.

The **water resistant quality** makes DelPro 1238™ and DelPro 1638™ a durable cladding for walls and ceilings, particularly in damp areas. With a **strong resistance to color change and fading**, DelPro 1238™ and DelPro 1638™ will **neither delaminate, rot, nor absorb water**.

• DELPRO 1238™ AND DELPRO 1638™ TRIM •

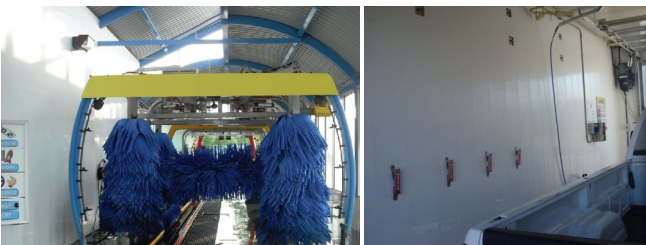


• WHY A PANEL THICKNESS OF 3/8" IS BETTER THAN 1/2" •

In the PVC wall paneling industry, unlike lumber, thicker is not always better. The interior walls and the space between the front and back wall of the panel, are the weaker parts of the overall design. If you increase this space (the thicker the panel, the more you stretch the interior wall), you have now effectively decreased the overall impact strength of your panel. Therefore, a 3/8" panel is much stronger and longer lasting than a 1/2" panel.

• WHY DELPRO 1238™ AND DELPRO 1638™ AREN'T WIDER THAN 16" •

If you have weight or tension on the panel (insulation or an angled fastener) it creates pressure between both ends and eventually the panel starts to bow or sag. In the PVC paneling industry, it is proven that 16" is the best and maximum width to use. Delpro 1238™ and DelPro 1638™ are easily able to withstand these pressures and will not bow or sag.



Find out more at [www.delpro1238.com](http://www.delpro1238.com)



Phone: 1-877-553-3632

Fax: 1-877-264-9025

[sales@delcan.ca](mailto:sales@delcan.ca)

[www.delcanproducts.com](http://www.delcanproducts.com)