

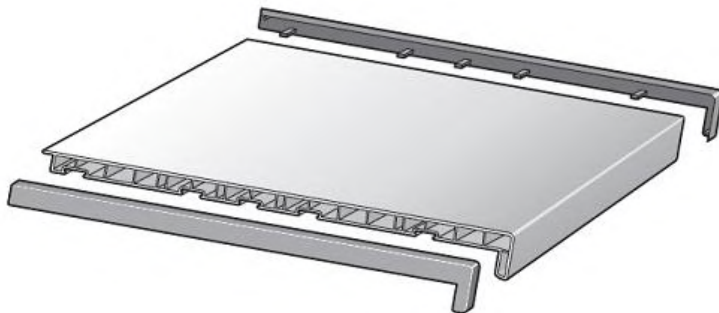
DUMA-BOARD

PVC Window Board

Duma-Board® is made of rigid recycled PVC with an internal supporting structure and finished with a quality top layer, providing an attractive hard-wearing and completely water-proof surface.

Duma-Board® offers a durable, neat, clean and easy maintenance window sill solution. These top

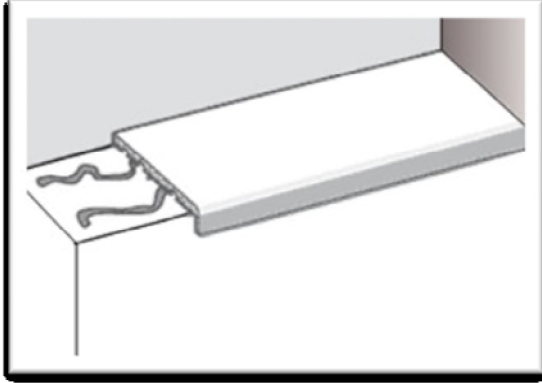
quality PVC products are available in 10' standard length and 12" wide (cut to desired width) and are available in three colors: white, beech and golden oak. End pieces are available in the same colors and can also be cut to the desired width.



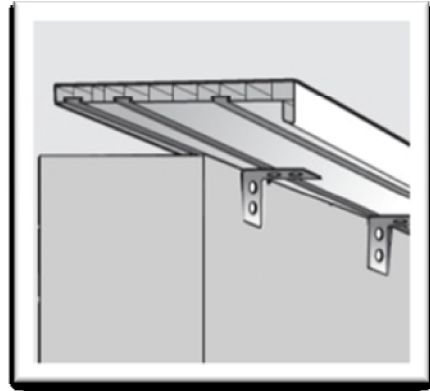
End pieces are available in matching colors and widths

www.dumaboard.ca

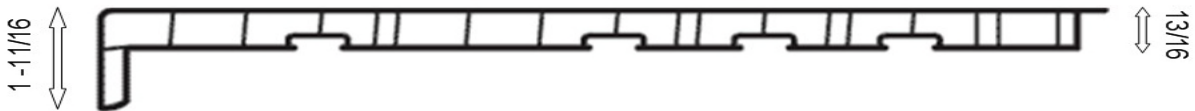
Installing Duma-Board®



Glue



Bracket & Screws



Duma-Board® Facts:

- **WATER RESISTANT** Duma-Board neither swells nor delaminates under the influence of water, and is thus the ideal finish in rooms with a moist atmosphere.
- **HARD-WEARING** the durable, high quality surface foil offers years of resistance to domestic wear and tear.
- **DURABLE** Distortion or warping is prevented by the exceptionally strong reinforcing ribs
- **MAINTENANCE FRIENDLY** Duma-Board is easy to maintain using ordinary household cleaners. Avoid harsh abrasives. Painting or varnishing is unnecessary.
- **EASY TO INSTALL** The window sill can easily be cut to the right size using an ordinary saw. Installation is simple too: there are three methods, gluing, screwing at the bracing points or lying directly on wet mortar. The end pieces are glued.
- **COLORFAST AND RETAINS SHAPE** Duma-Board is colorfast. Direct sunlight will not warp the window sill.

Authorized Duma-Board® Dealer:

Dealer Stamp